

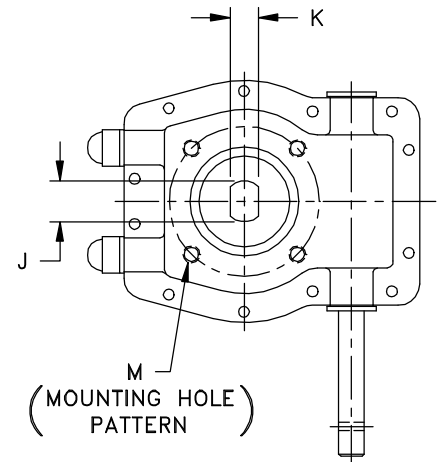
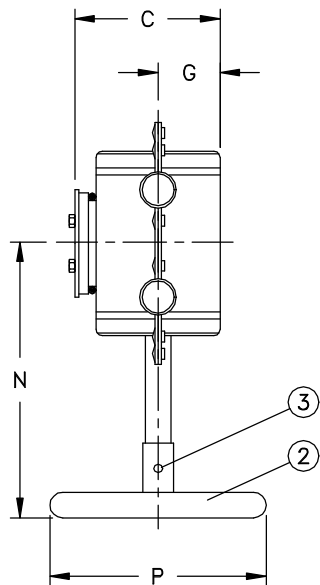
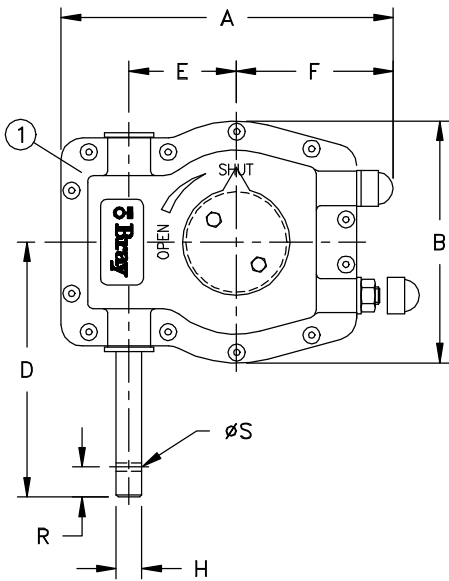
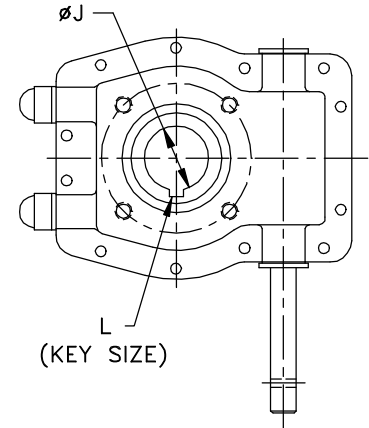
ATTENTION

THIS DOCUMENT IS VALID IF AND ONLY IF YOU PERSONALLY DOWNLOADED IF FROM WWW.BRAY.COM
IF YOU RECEIVED THIS DOCUMENT FROM ANY OTHER SOURCE, PLEASE TAKE INTO CONSIDERATION THAT ALTERATIONS
COULD HAVE BEEN MADE, FOR AN ORIGINAL COPY, PLEASE CONTACT BRAY VALVE AT 281-894-5454

Size	RATIO	A	B	C	D	E	F	G	H	J	K	L	M (Mounting Hole Pattern)			WT (lbs.)
													BC	No. of Holes	Threads	
0100	40:1	4.19	3.62	1.57	4.49	1.67	1.44	.67	.47	.39	.31	---	1.97	4	M6 x 1.00	1.8
0200	37:1	6.10	4.45	2.67	4.69	1.97	2.80	1.14	.47	.75	.51	---	2.76	4	M8 x 1.25	2.9
0300	40:1	9.29	7.40	3.43	6.57	3.15	4.02	1.57	.79	1.18	.87	---	4.92	4	M12 x 1.75	15.4
0300	40:1	9.29	7.40	3.43	6.57	3.15	4.02	1.57	.79	1.38	---	.39x.39	4.92	4	M12 x 1.75	15.4

Size	N	øP	R	øS	Torque (lb.in.)	Adaptor Code	# Turns to Close
0100	5.12	4.00	.55	.16	1,100	AAO	10
0200	6.58	6.00	.55	.16	2,200	A1,B1,C0	9.25
0300	9.02	14.00	.94	.24	8,800	EO	10
0300	9.02	14.00	.94	.24	8,800	FO	10

NOTE: ADJUSTABLE TRAVEL STOPS ON SIZES 0200 AND 0300 ONLY



3	ROLL PIN	1
2	HANDWHEEL	1
1	OPERATOR	1
ITEM No.	NAME	No. REQUIRED

Valve Size _____ Flg. Drilling _____
 Pressure Rating _____
 Customer/Project _____
 Inq./P.O. No. _____
 Bray Order No. _____
 Certified Correct By _____ Date _____



BRAY CONTROLS

A Division of BRAY INTERNATIONAL, Inc.

DIMENSIONS (INCHES)
 GEAR OPERATOR, SERIES 04, STAINLESS STEEL
 SIZE 0100-0300

Series	Size	Part No.	Material Trim Code	Drawing No.
				ES11A-0376

Bray