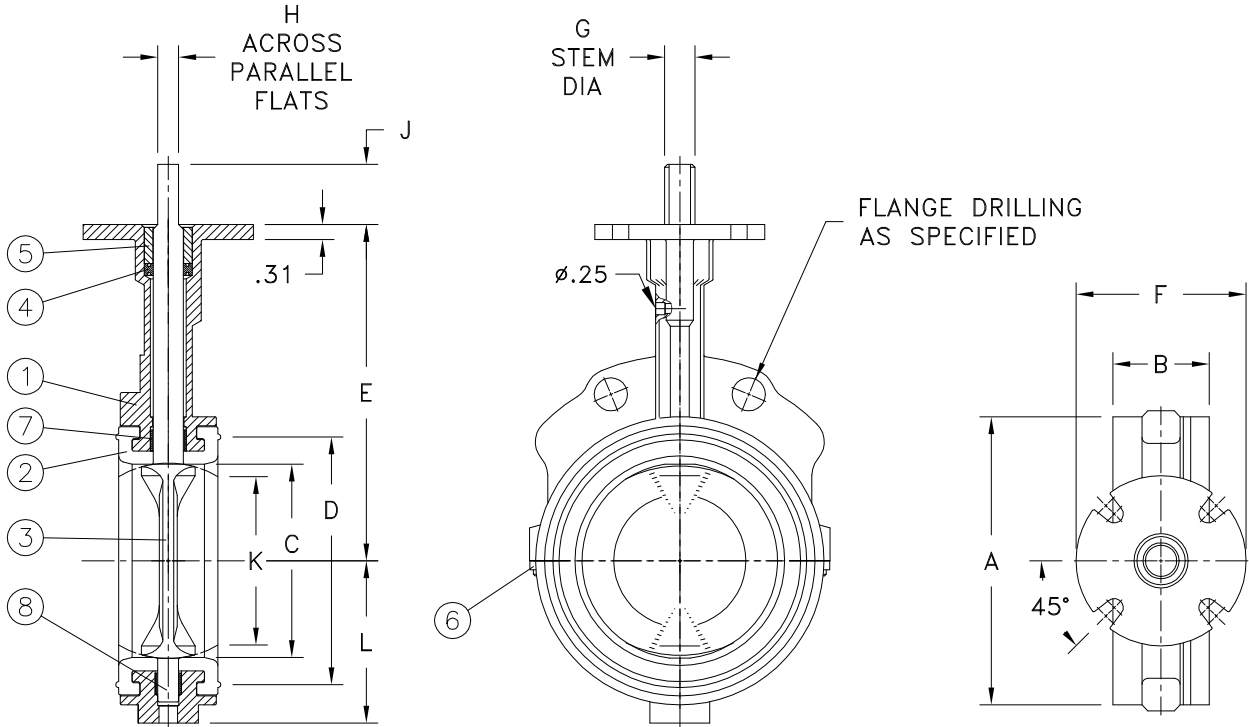


ATTENTION

THIS DOCUMENT IS VALID IF AND ONLY IF YOU PERSONALLY DOWNLOADED IF FROM WWW.BRAY.COM
IF YOU RECEIVED THIS DOCUMENT FROM ANY OTHER SOURCE, PLEASE TAKE INTO CONSIDERATION THAT ALTERATIONS
COULD HAVE BEEN MADE, FOR AN ORIGINAL COPY, PLEASE CONTACT BRAY VALVE AT 281-894-5454

Valve Size	A	B	C	D	E	F	Top BC	Plate No. of Holes	Drilling Hole Diameter	G	H	J	K	L	Adapter Code	Weight
2"	3.69	1.62	2.00	2.84	5.50	3.54	2.76	4	.38	.55	.39	1.25	1.32	2.03	A	X
2 1/2"	4.19	1.75	2.50	3.34	6.00	3.54	2.76	4	.38	.55	.39	1.25	1.91	2.31	A	X
3"	4.88	1.75	3.00	4.15	6.25	3.54	2.76	4	.38	.55	.39	1.25	2.55	2.62	A	X
4"	6.00	2.00	4.00	5.16	7.00	3.54	2.76	4	.38	.63	.43	1.25	3.57	3.38	B	X
5"	7.00	2.12	5.00	6.16	7.50	3.54	2.76	4	.38	.75	.51	1.25	4.63	4.19	C	X
6"	7.82	2.12	5.75	7.02	8.00	3.54	2.76	4	.38	.75	.51	1.25	5.45	4.66	C	X

Note: (1.) K dim is disc chordal dimension at valve face.
(2.) For 1" & 1 1/2" Valves, see ES11A-0128



8	LOWER BUSHING	1			
7	UPPER BUSHING	1			
6	CAP SCREW	2			
5	BUSHING	1			
4	PACKING	1			
3	DISC-STEM	1			
2	SEAT	1			
1	BODY	1			
ITEM	NAME	QTY	SERIES / PART NO.	MATERIAL	SPECIFICATION / REMARKS

Valve Size _____ Pressure Rating _____
 Fig. Drilling _____
 Customer/Project _____
 Inq./P.O. No. _____
 Bray Order No. _____

PARTS LIST & DIMENSIONS (INCHES)
 BUTTERFLY VALVE, STAINLESS STEEL,
 SERIES 20 SIZES 2" THRU 6"

Bray CONTROLS
 A Division of BRAY INTERNATIONAL, Inc.

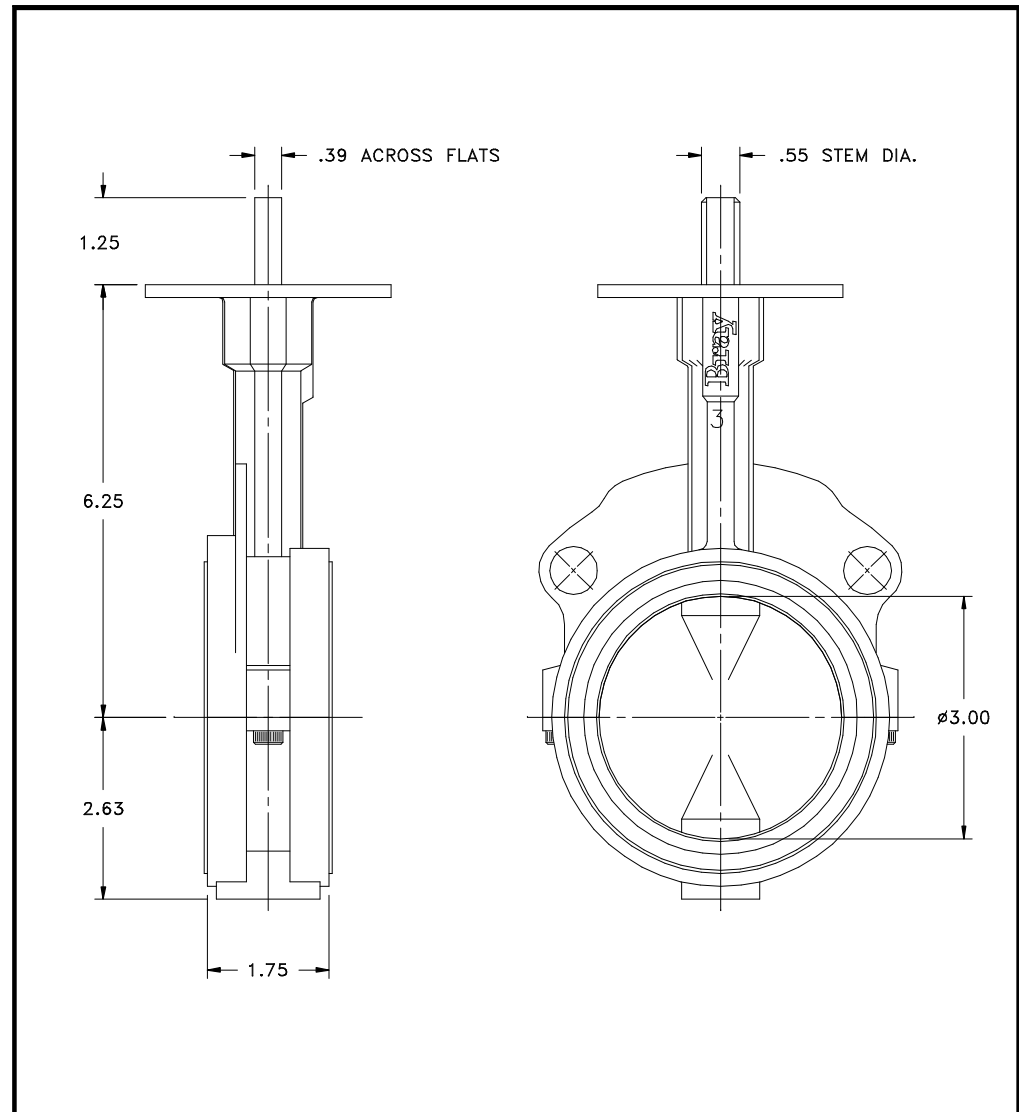
SHEET 1 OF 1 REV. 1
 DRAWING NO. ES11A-0277

SERIES 20
ES-0173

Date: December 1991

ATTENTION

THIS DOCUMENT IS VALID IF AND ONLY IF YOU PERSONALLY DOWNLOADED IT FROM WWW.BRAY.COM
IF YOU RECEIVED THIS DOCUMENT FROM ANY OTHER SOURCE, PLEASE TAKE INTO CONSIDERATION THAT ALTERATIONS
COULD HAVE BEEN MADE. FOR AN ORIGINAL COPY, PLEASE CONTACT BRAY VALVE AT 281-894-5454



Valve Size 3" Flg. Drilling ANSI 125/150
 Pressure Rating 150 p.s.i.
 Customer/Project _____
 Inq./P.O. No. _____
 Bray Order No. _____
 Certified Correct By _____ Date _____

The High Performance Company
BRAY VALVE & CONTROLS U.S.A., INC.
 A Subsidiary of BRAY INTERNATIONAL, Inc.

SERIES 20 3" STAINLESS STEEL VALVE

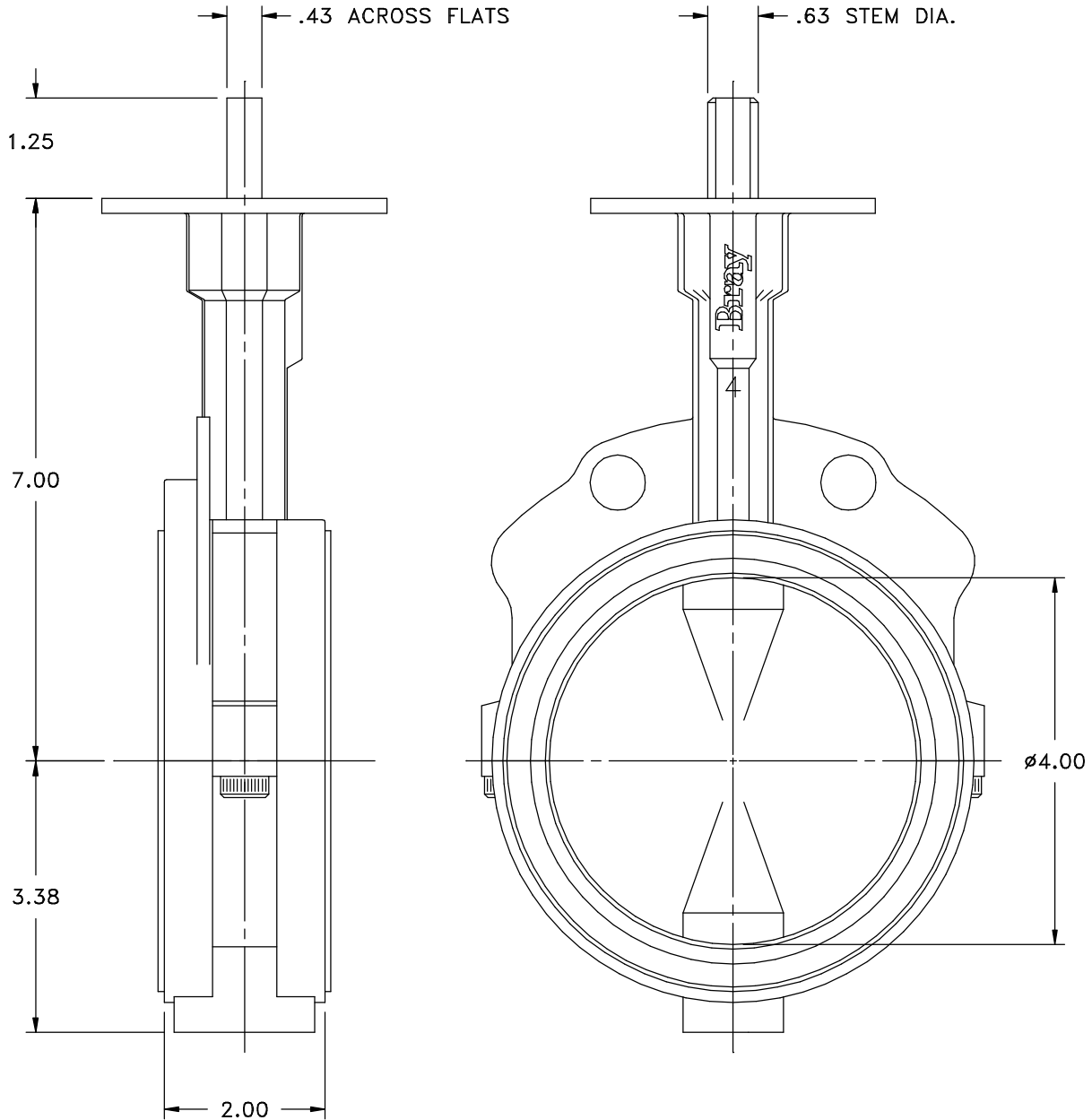
Series	Size	Part No.	Material Trim Code	Drawing No.
20	0300	11010	024	ES-0173



ATTENTION

THIS DOCUMENT IS VALID IF AND ONLY IF YOU PERSONALLY DOWNLOADED IT FROM WWW.BRAY.COM
 IF YOU RECEIVED THIS DOCUMENT FROM ANY OTHER SOURCE, PLEASE TAKE INTO CONSIDERATION THAT ALTERATIONS
 COULD HAVE BEEN MADE, FOR AN ORIGINAL COPY, PLEASE CONTACT BRAY VALVE AT 281-894-5454

SERIES 20
ES-0174
Date: December 1991



Valve Size 4" Flg. Drilling ANSI 125/150
 Pressure Rating 150 p.s.i.
 Customer/Project _____
 Inq./P.O. No. _____
 Bray Order No. _____
 Certified Correct By _____ Date _____



BRAY VALVE & CONTROLS
U.S.A., INC.
 A Subsidiary of BRAY INTERNATIONAL, Inc.

SERIES 20 4" STAINLESS STEEL VALVE

Series	Size	Part No.	Material Trim Code	Drawing No.
20	0400	11010	024	ES-0174

