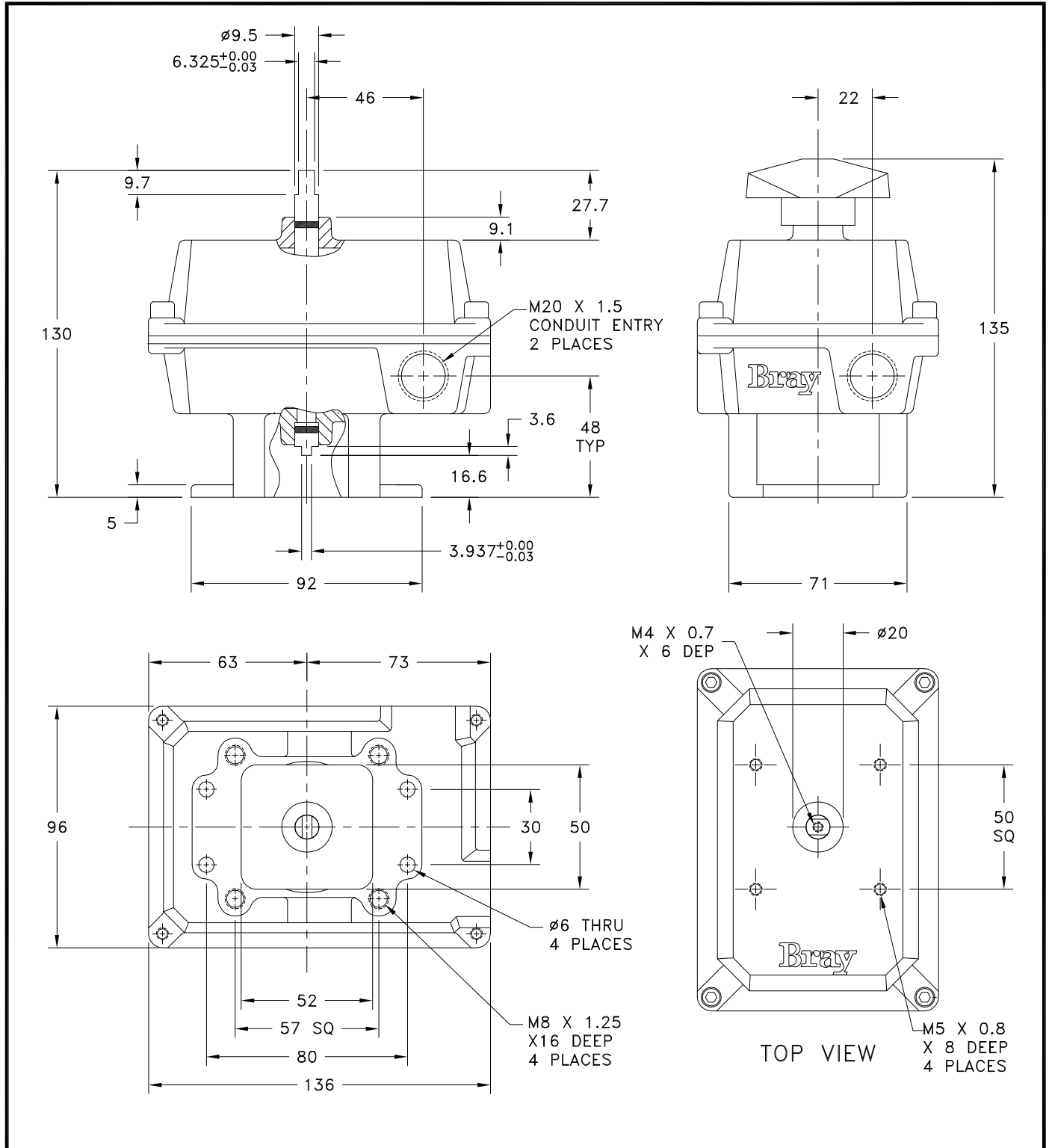


**\*ATTENTION\***

THIS DOCUMENT IS VALID IF AND ONLY IF YOU PERSONALLY DOWNLOADED IF FROM WWW.BRAY.COM  
IF YOU RECEIVED THIS DOCUMENT FROM ANY OTHER SOURCE, PLEASE TAKE INTO CONSIDERATION THAT ALTERATIONS  
COULD HAVE BEEN MADE, FOR AN ORIGINAL COPY, PLEASE CONTACT BRAY VALVE AT 281-894-5454



NOTE:  
1. ALL DIMENSIONS ARE IN MILLIMETERS.

Customer/Project \_\_\_\_\_  
Inq./P.O. No. \_\_\_\_\_  
Bray Order No. \_\_\_\_\_  
Certified Correct By \_\_\_\_\_ Date \_\_\_\_\_

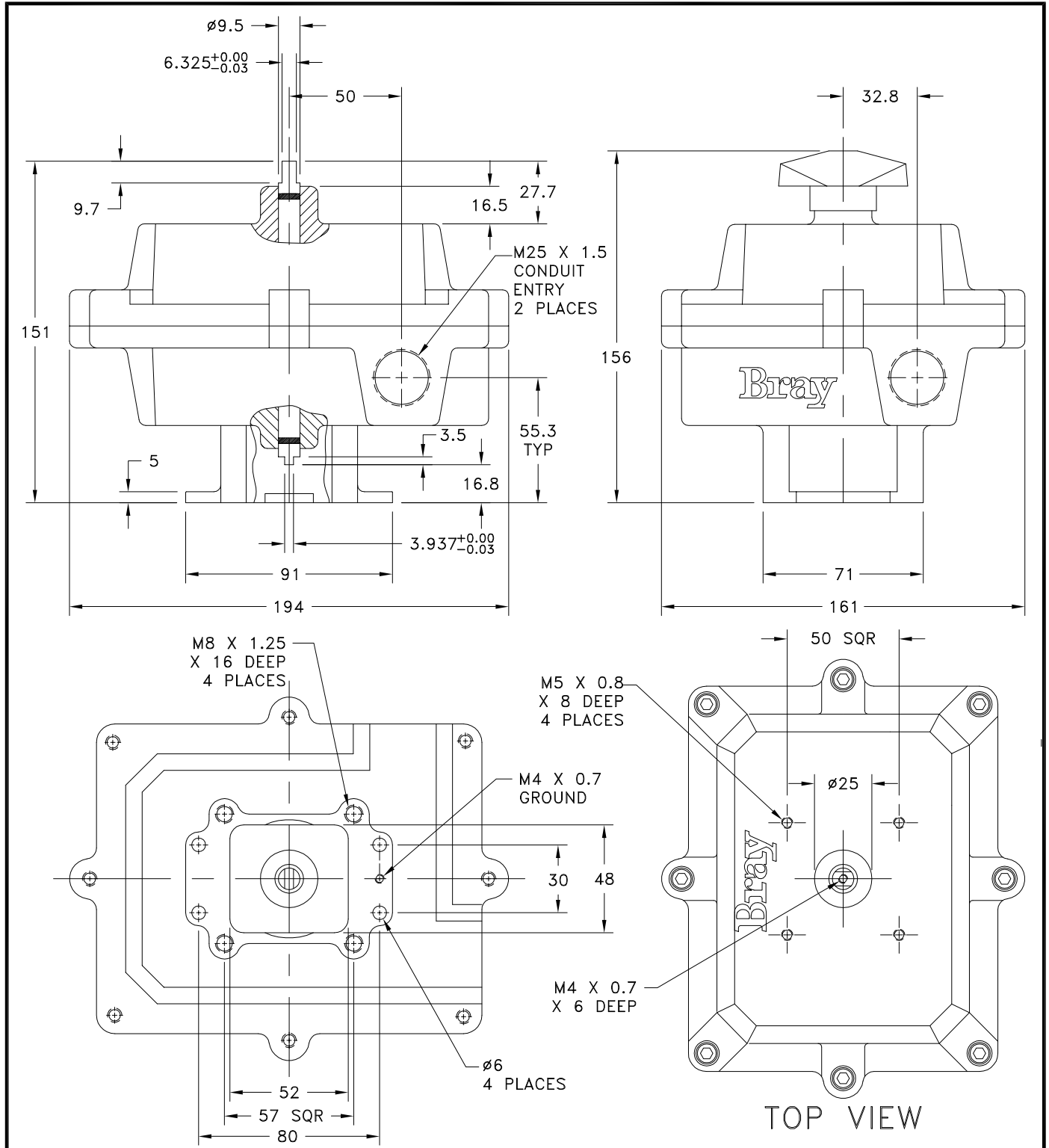
VALVE POSITION MONITOR (Millimeters)  
NEMA 4, 4X ENCLOSURE (METRIC)  
FOR NAMUR HEIGHT PINIONS

**Bray** CONTROLS  
A Division of BRAY INTERNATIONAL, Inc.

SHEET	REV.
1 OF 1	RFP
DRAWING NO.	
ES12A-0528	

**\*ATTENTION\***

THIS DOCUMENT IS VALID IF AND ONLY IF YOU PERSONALLY DOWNLOADED IF FROM WWW.BRAY.COM  
IF YOU RECEIVED THIS DOCUMENT FROM ANY OTHER SOURCE, PLEASE TAKE INTO CONSIDERATION THAT ALTERATIONS  
COULD HAVE BEEN MADE, FOR AN ORIGINAL COPY, PLEASE CONTACT BRAY VALVE AT 281-894-5454



NOTE:  
1. ALL DIMENSIONS ARE IN MILLIMETERS.

Customer/Project \_\_\_\_\_

Inq./P.O. No. \_\_\_\_\_

Bray Order No. \_\_\_\_\_

Certified Correct By \_\_\_\_\_ Date \_\_\_\_\_

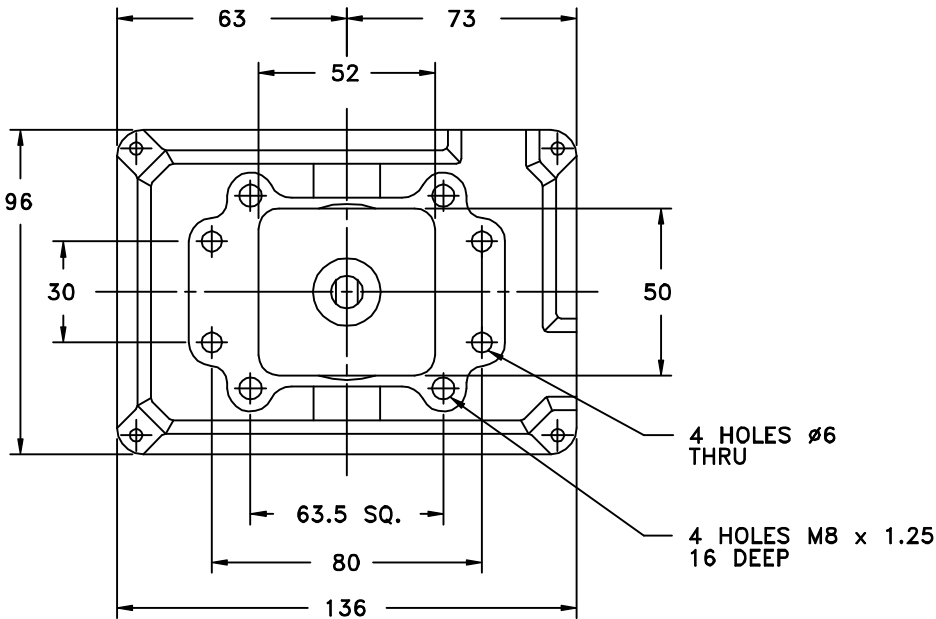
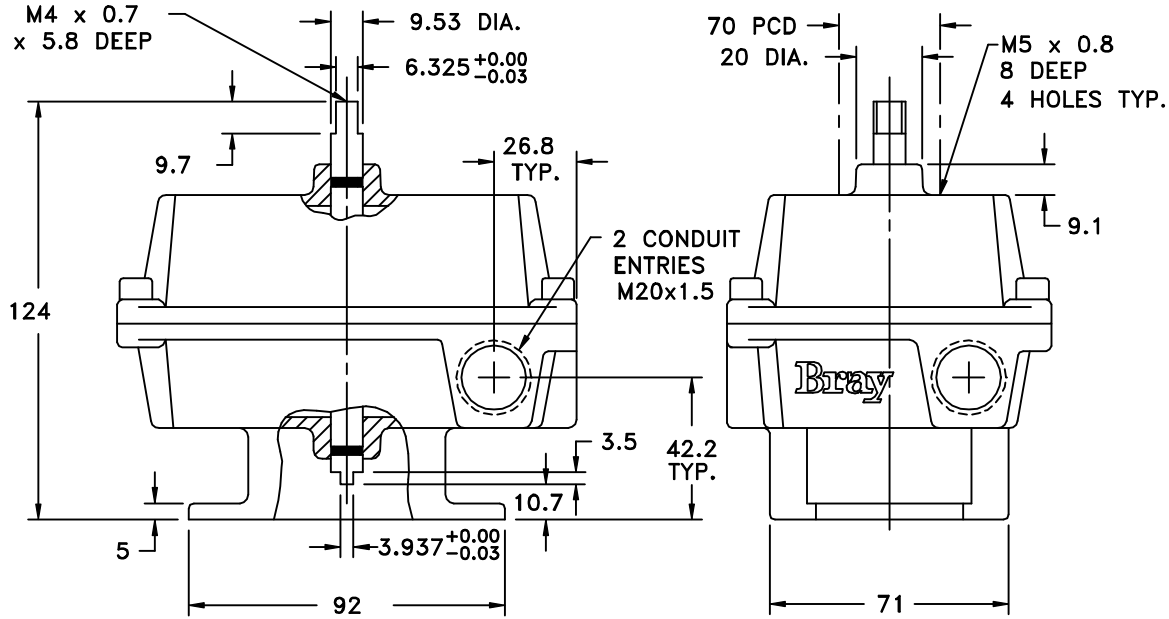
DIMENSIONS (Millimeters)  
VALVE POSITION MONITOR  
NEMA 4, 4X, 7 & 9 ENCLOSURE (METRIC)  
FOR NAMUR HEIGHT PINIONS

**Bray** CONTROLS  
A Division of BRAY INTERNATIONAL, Inc.

SHEET	REV.
1 OF 1	RFP
DRAWING NO.	
ES12A-0529	

**\*ATTENTION\***

THIS DOCUMENT IS VALID IF AND ONLY IF YOU PERSONALLY DOWNLOADED IF FROM WWW.BRAY.COM  
IF YOU RECEIVED THIS DOCUMENT FROM ANY OTHER SOURCE, PLEASE TAKE INTO CONSIDERATION THAT ALTERATIONS  
COULD HAVE BEEN MADE, FOR AN ORIGINAL COPY, PLEASE CONTACT BRAY VALVE AT 281-894-5454



Customer/Project \_\_\_\_\_  
Inq./P.O. No. \_\_\_\_\_  
Bray Order No. \_\_\_\_\_  
Certified Correct By \_\_\_\_\_ Date \_\_\_\_\_



The High Performance Company  
**BRAY VALVE & CONTROLS**  
A Subsidiary of BRAY INTERNATIONAL, Inc.

DIMENSIONS (Millimeters)  
VALVE POSITION MONITOR  
NEMA 4, 4X ENCLOSURE

Series	Size	Part No.	Material Trim Code	Drawing No.
				ES-10133



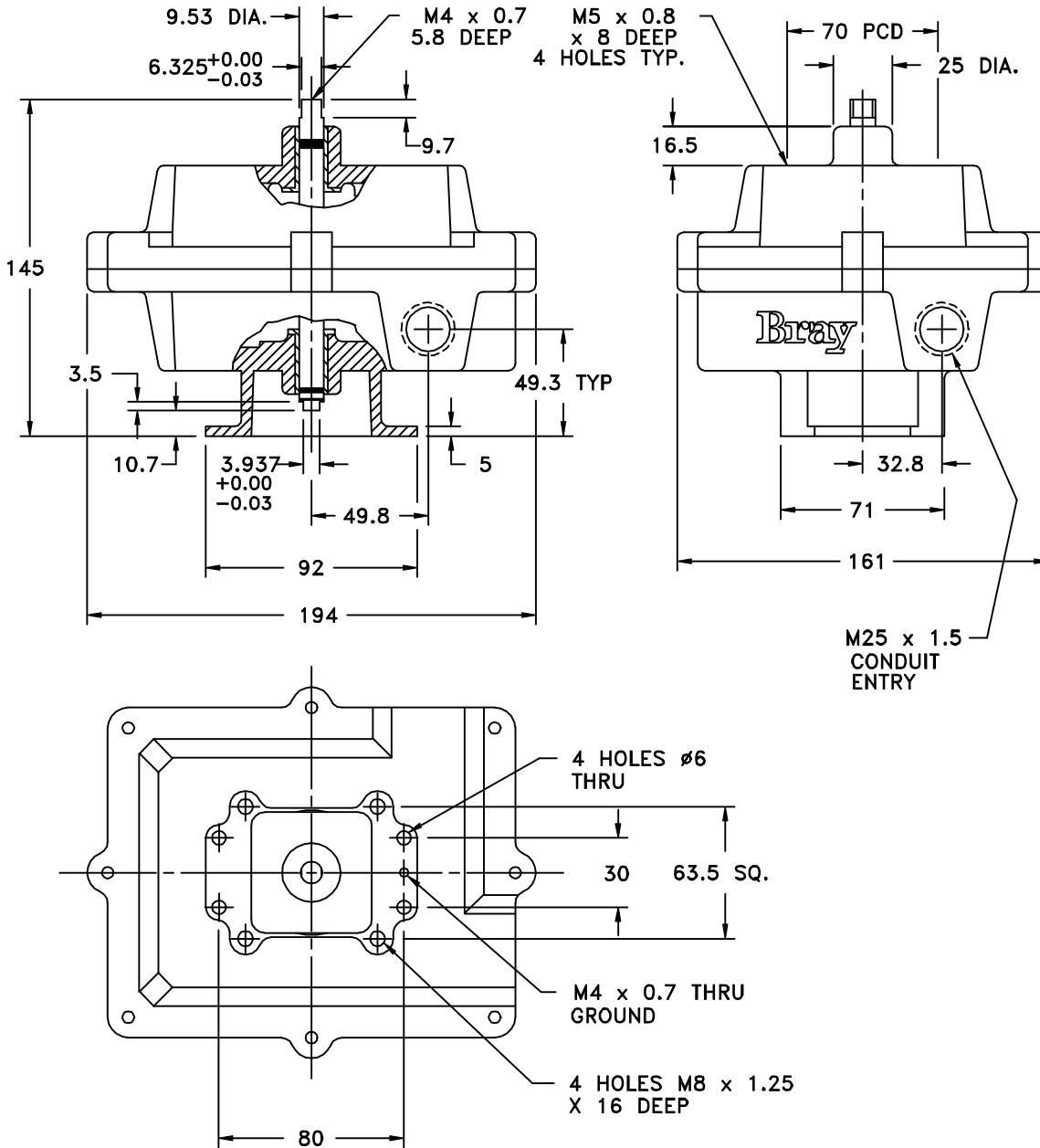
Series 50

ES-10134

Date: June 1993

**\*ATTENTION\***

THIS DOCUMENT IS VALID IF AND ONLY IF YOU PERSONALLY DOWNLOADED IF FROM WWW.BRAY.COM  
IF YOU RECEIVED THIS DOCUMENT FROM ANY OTHER SOURCE, PLEASE TAKE INTO CONSIDERATION THAT ALTERATIONS  
COULD HAVE BEEN MADE, FOR AN ORIGINAL COPY, PLEASE CONTACT BRAY VALVE AT 281-894-5454



Customer/Project \_\_\_\_\_  
 Inq./P.O. No. \_\_\_\_\_  
 Bray Order No. \_\_\_\_\_  
 Certified Correct By \_\_\_\_\_ Date \_\_\_\_\_

**The High Performance Company**  
**BRAY VALVE & CONTROLS**  
 A Subsidiary of BRAY INTERNATIONAL, Inc.

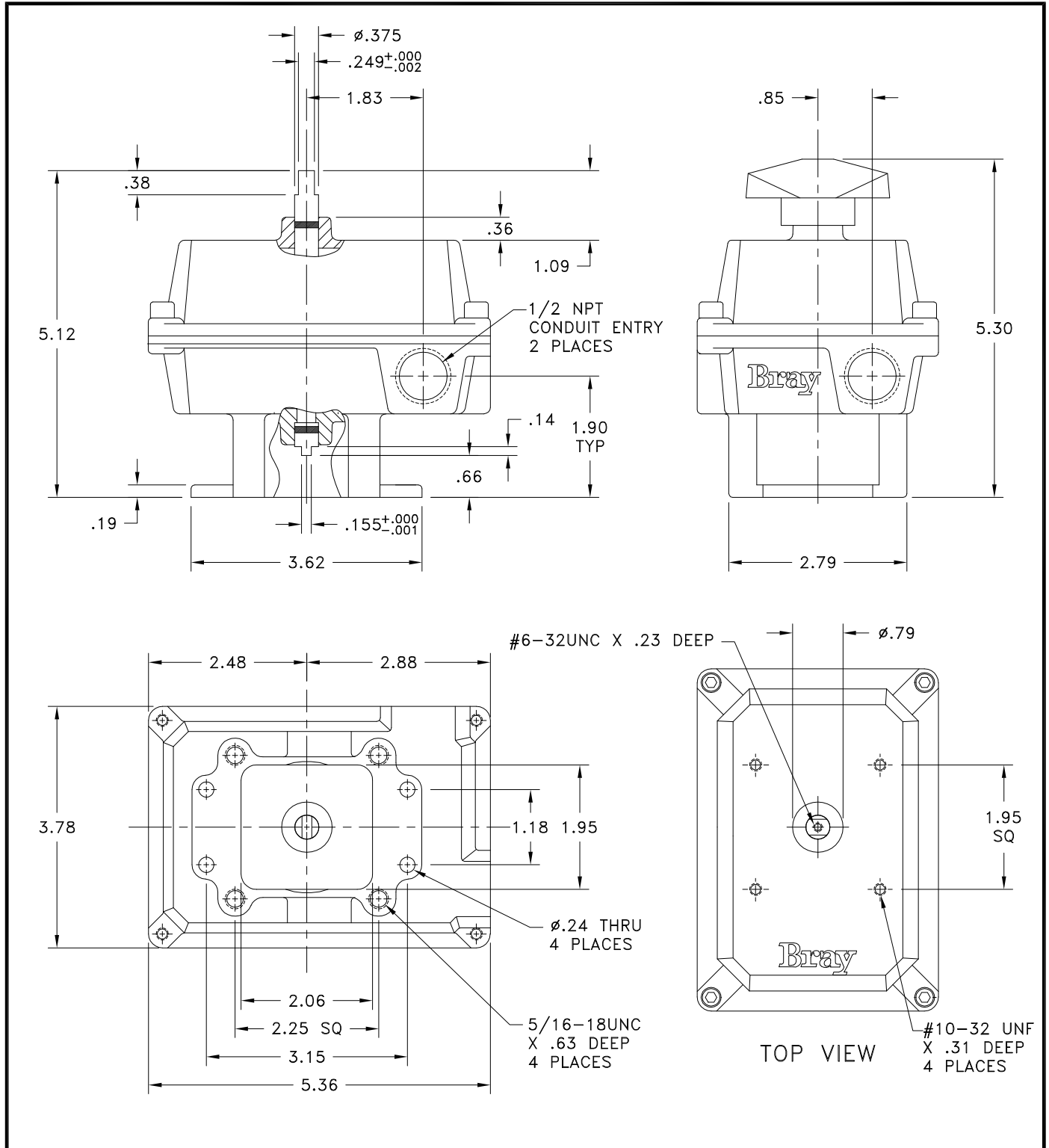
DIMENSIONS (Millimeters)  
 VALVE POSITION MONITOR  
 NEMA 4, 4X, 7 AND 9 ENCLOSURE

Series	Size	Part No.	Material Trim Code	Drawing No.
				ES-10134



**\*ATTENTION\***

THIS DOCUMENT IS VALID ONLY IF YOU DOWNLOADED IT FROM WWW.BRAY.COM OR RECEIVED IT FROM AN AUTHORIZED BRAY SALES OFFICE OR DISTRIBUTOR. IF YOU RECEIVED THIS DOCUMENT FROM ANY OTHER SOURCE, PLEASE TAKE INTO CONSIDERATION THAT ALTERATIONS COULD HAVE BEEN MADE.



NOTE:  
1. ALL DIMENSIONS ARE IN INCHES.

Customer/Project \_\_\_\_\_  
 Inq./P.O. No. \_\_\_\_\_  
 Bray Order No. \_\_\_\_\_  
 Certified Correct By \_\_\_\_\_ Date \_\_\_\_\_

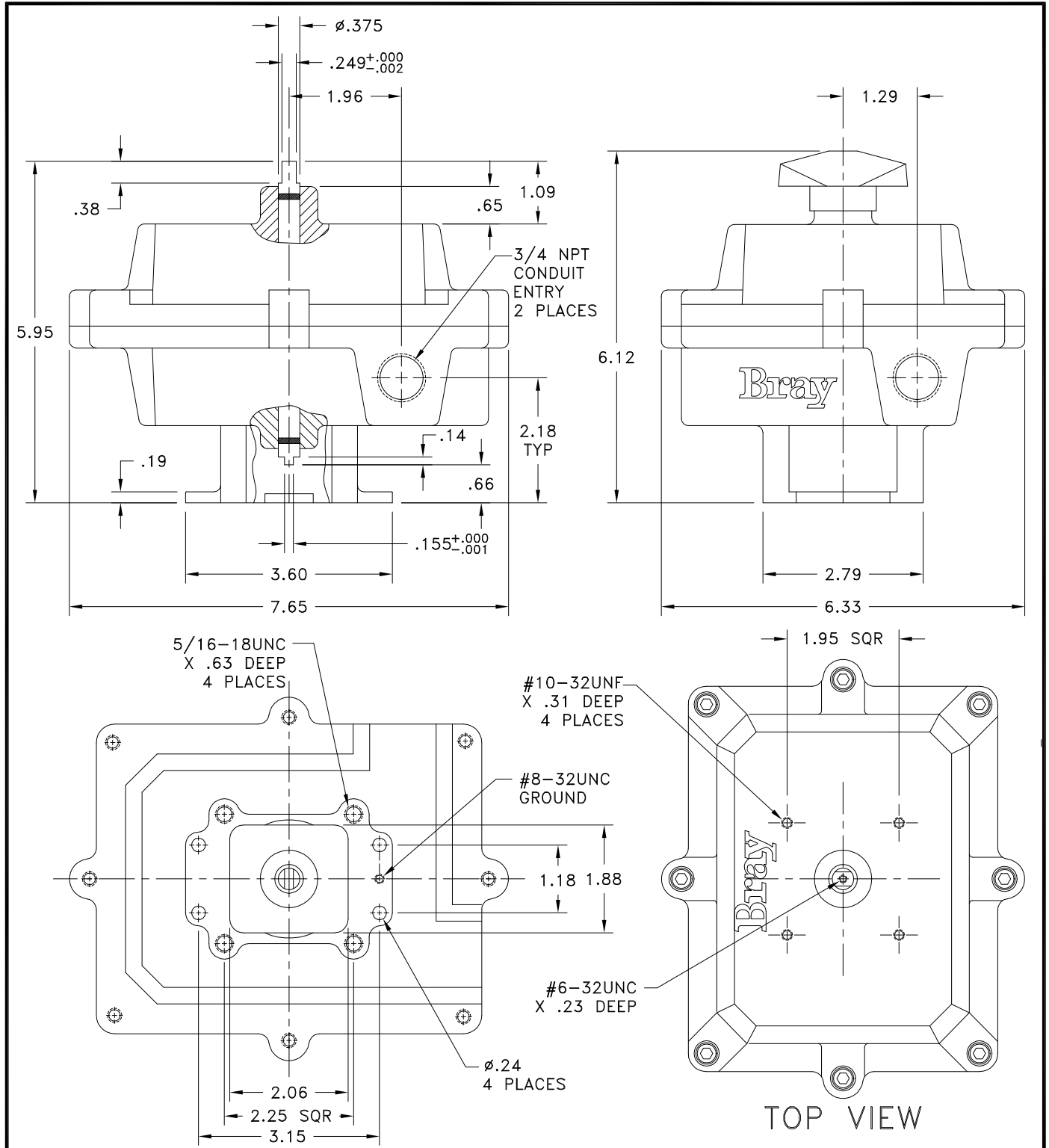
VALVE POSITION MONITOR  
 NEMA 4, 4X ENCLOSURE  
 FOR NAMUR HEIGHT PINIONS

**Bray** CONTROLS  
 A Division of BRAY INTERNATIONAL, Inc.

SHEET	REV.
1 OF 1	1
DRAWING NO.	
ES11A-0409	

**\*ATTENTION\***

THIS DOCUMENT IS VALID ONLY IF YOU DOWNLOADED IT FROM WWW.BRAY.COM OR RECEIVED IT FROM AN AUTHORIZED BRAY SALES OFFICE OR DISTRIBUTOR. IF YOU RECEIVED THIS DOCUMENT FROM ANY OTHER SOURCE, PLEASE TAKE INTO CONSIDERATION THAT ALTERATIONS COULD HAVE BEEN MADE.



NOTE:  
1. ALL DIMENSIONS ARE IN INCHES.

Customer/Project \_\_\_\_\_  
 Inq./P.O. No. \_\_\_\_\_  
 Bray Order No. \_\_\_\_\_  
 Certified Correct By \_\_\_\_\_ Date \_\_\_\_\_

VALVE POSITION MONITOR  
 NEMA 4, 4X, 7 & 9 ENCLOSURE  
 FOR NAMUR HEIGHT PINIONS

**Bray** CONTROLS  
 A Division of BRAY INTERNATIONAL, Inc.

SHEET	REV.
1 OF 1	1
DRAWING NO.	
ES11A-0410	