

**\*ATTENTION\***

THIS DOCUMENT IS VALID IF AND ONLY IF YOU PERSONALLY DOWNLOADED IF FROM WWW.BRAY.COM  
 IF YOU RECEIVED THIS DOCUMENT FROM ANY OTHER SOURCE, PLEASE TAKE INTO CONSIDERATION THAT ALTERATIONS  
 COULD HAVE BEEN MADE, FOR AN ORIGINAL COPY, PLEASE CONTACT BRAY VALVE AT 281-894-5454

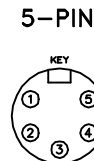
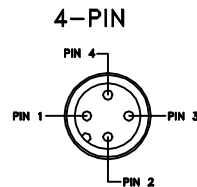
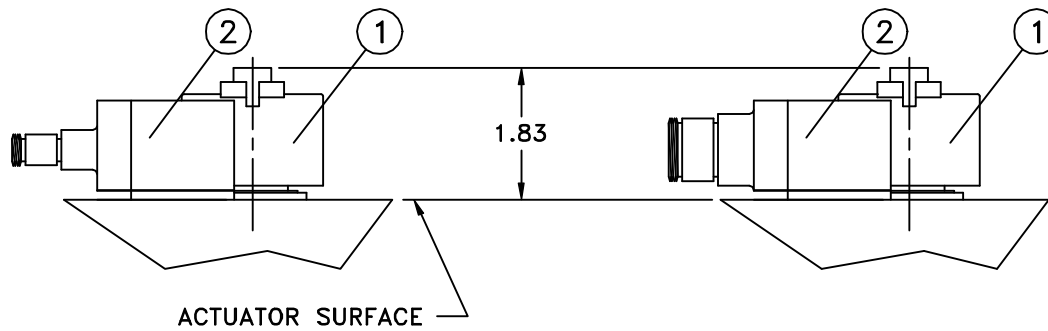
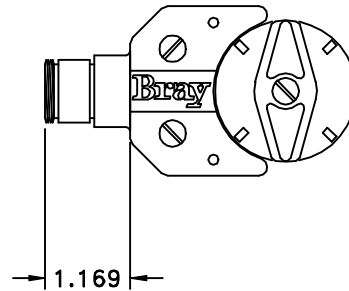
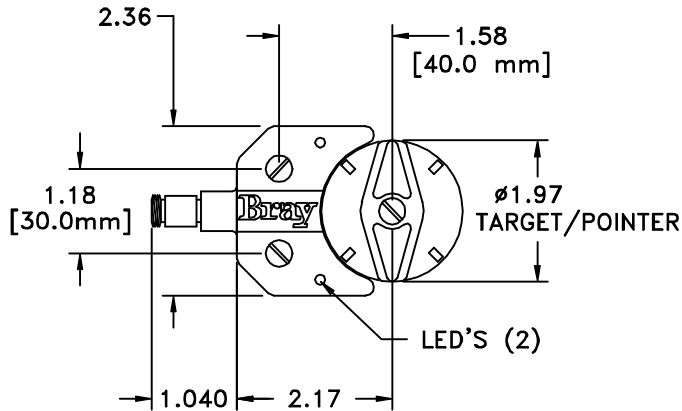
**SERIES 52**  
**ES11A-0333**  
**Date: JUNE 1998**

**EURO CONNECTOR**

FOUR PIN CONNECTOR- FOR  
 10-65VDC AND DC INTRINSICALLY  
 SAFE APPLICATIONS  
 CENELEC EN 50 044

**MINI CONNECTOR**

FIVE PIN CONNECTOR- FOR  
 20-250VAC (40-60Hz)  
 APPLICATIONS  
 ANSI B93.55M-1981



2	LIMIT SWITCH	1
1	POINTER/TARGET	1
ITEM No.	NAME	No. REQUIRED



**BRAY VALVE & CONTROLS**  
 A Division of BRAY INTERNATIONAL, Inc.



Customer/Project \_\_\_\_\_  
 Inq./P.O. No. \_\_\_\_\_  
 Bray Order No. \_\_\_\_\_  
 Certified Correct By \_\_\_\_\_ Date \_\_\_\_\_

DIMENSIONAL OUTLINE- SERIES 52 2N1 PROXIMITY  
 LIMIT SWITCH, FOR SERIES 90 SIZE 63-127  
 PNEUMATIC ACTUATORS

Series	Size	Part No.	Material Trim Code	Drawing No.
				ES11A-0333

**\*ATTENTION\***

THIS DOCUMENT IS VALID IF AND ONLY IF YOU PERSONALLY DOWNLOADED IF FROM WWW.BRAY.COM  
 IF YOU RECEIVED THIS DOCUMENT FROM ANY OTHER SOURCE, PLEASE TAKE INTO CONSIDERATION THAT ALTERATIONS  
 COULD HAVE BEEN MADE, FOR AN ORIGINAL COPY, PLEASE CONTACT BRAY VALVE AT 281-894-5454

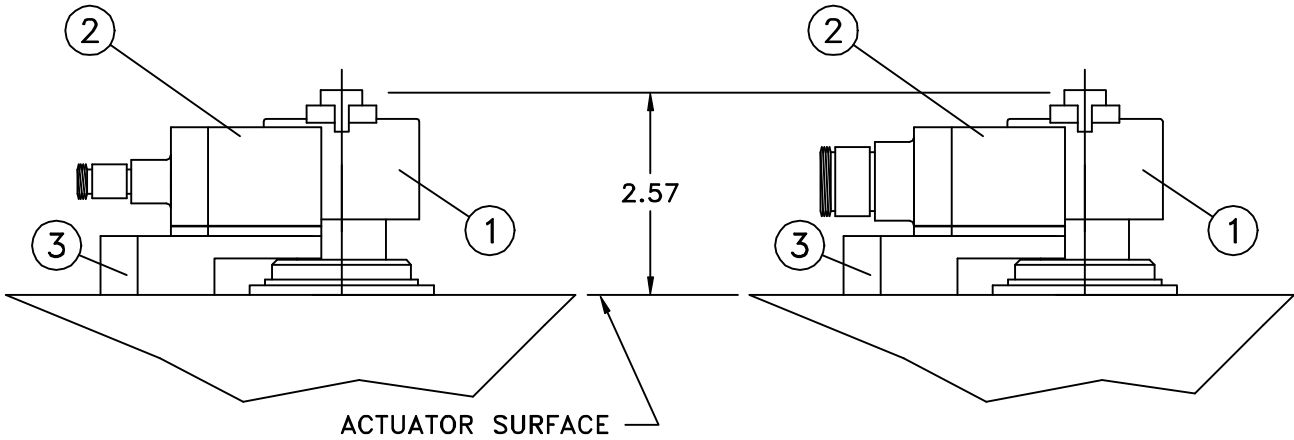
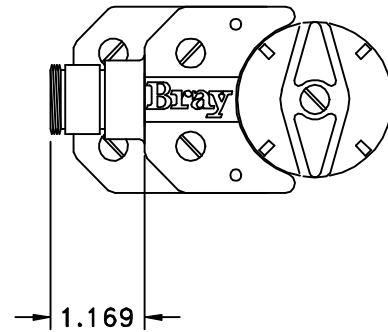
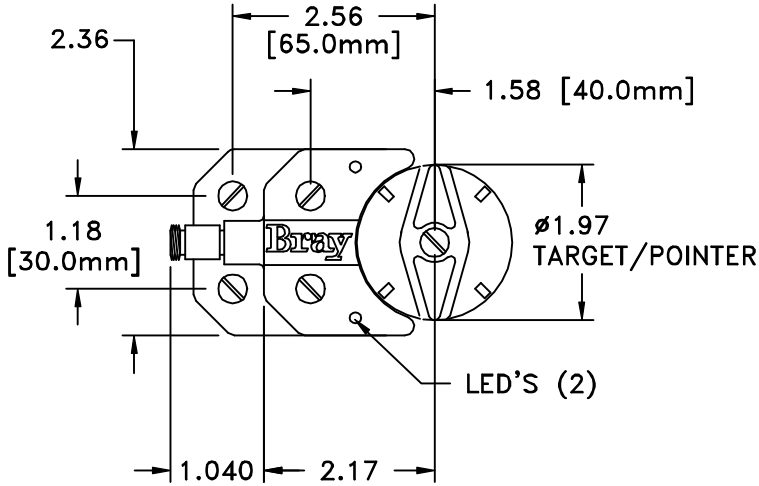
**SERIES 52**  
**ES11A-0334**  
**Date: JUNE 1998**

**EURO CONNECTOR**

FOUR PIN CONNECTOR- FOR  
 10-65VDC AND DC INSTRINSICALLY  
 SAFE APPLICATIONS  
 CENELEC EN 50 044

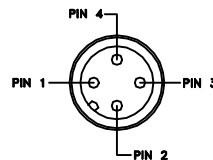
**MINI CONNECTOR**

FIVE PIN CONNECTOR- FOR  
 20-250VAC (40-60Hz)  
 APPLICATIONS  
 ANSI B93.55M-1981

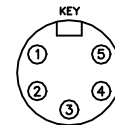


ACTUATOR SURFACE

4-PIN



5-PIN



3	ADAPTER KIT	1
2	LIMIT SWITCH	1
1	POINTER/TARGET	1
ITEM No.	NAME	No. REQUIRED



The  
 High  
 Performance  
 Company

**BRAY VALVE & CONTROLS**

A Division of BRAY INTERNATIONAL, Inc.

DIMENSIONAL OUTLINE- SERIES 52 2N1 PROXIMITY  
 LIMIT SWITCH, FOR SERIES 90 SIZE 160-255  
 PNEUMATIC ACTUATORS

Series	Size	Part No.	Material Trim Code	Drawing No.
				ES11A-0334

**Bray**

Customer/Project \_\_\_\_\_  
 Inq./P.O. No. \_\_\_\_\_  
 Bray Order No. \_\_\_\_\_  
 Certified Correct By \_\_\_\_\_ Date \_\_\_\_\_