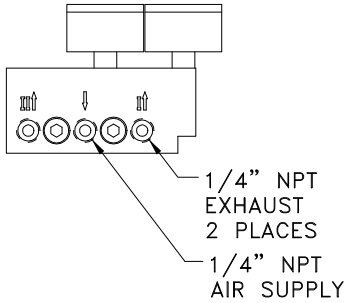
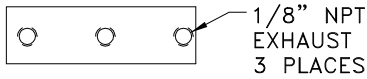


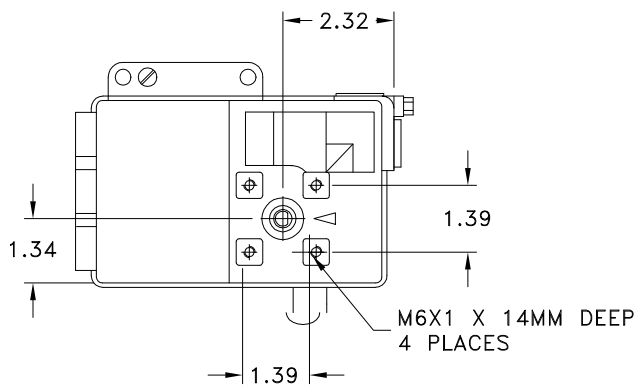
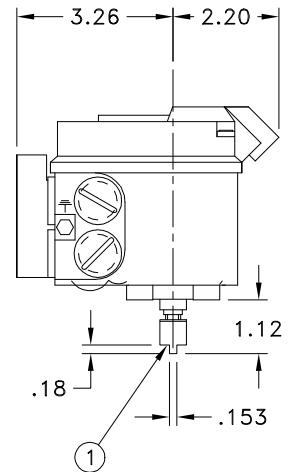
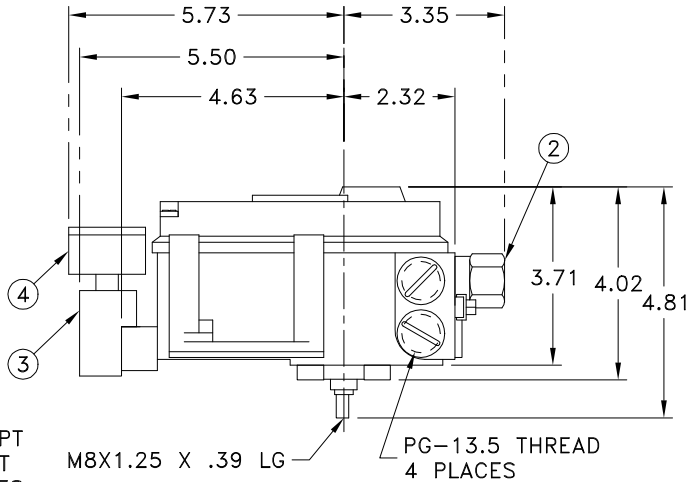
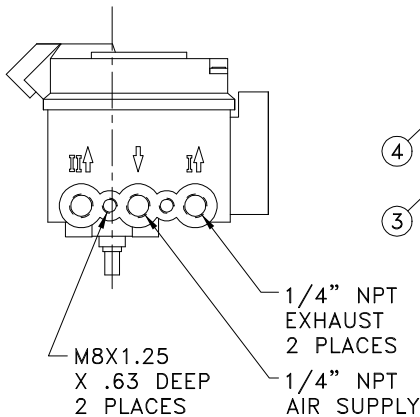
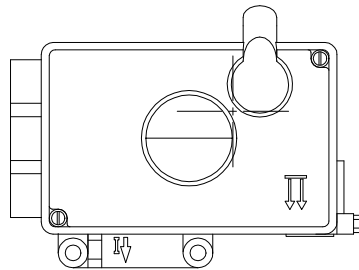
**\*ATTENTION\***

THIS DOCUMENT IS VALID ONLY IF YOU DOWNLOADED IT FROM WWW.BRAY.COM OR RECEIVED IT FROM AN AUTHORIZED BRAY SALES OFFICE OR DISTRIBUTOR. IF YOU RECEIVED THIS DOCUMENT FROM ANY OTHER SOURCE, PLEASE TAKE INTO CONSIDERATION THAT ALTERATIONS COULD HAVE BEEN MADE.



OPTIONAL MANIFOLD KIT  
(SHOWN WITH OPTIONAL GAUGE KIT  
FOR SINGLE ACTING POSITIONER)

- ACCESSORY KITS
1. COUPLER KIT
  2. 1/2" FEMALE ADAPTER
  3. MANIFOLD KIT
  4. GAUGE KIT:  
SINGLE (2 GAUGES)  
DOUBLE (3 GAUGES)



Customer/Project \_\_\_\_\_  
Inq./P.O. No. \_\_\_\_\_  
Bray Order No. \_\_\_\_\_  
Certified Correct By \_\_\_\_\_ Date \_\_\_\_\_

DIMENSIONS (INCHES)  
PNEUMATIC POSITIONER, SERIES 67,  
SINGLE OR DOUBLE ACTING



SHEET	REV.
1 OF 1	RFP
DRAWING NO.	
ES11A-0467	