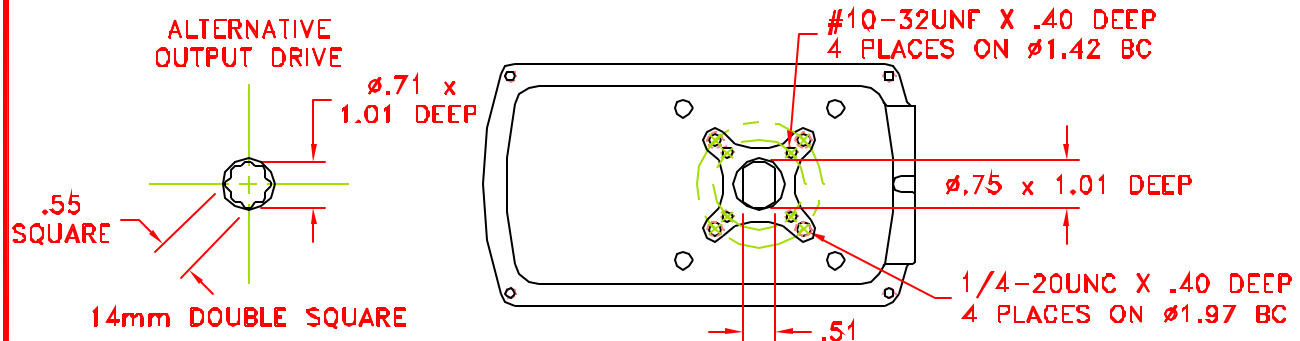
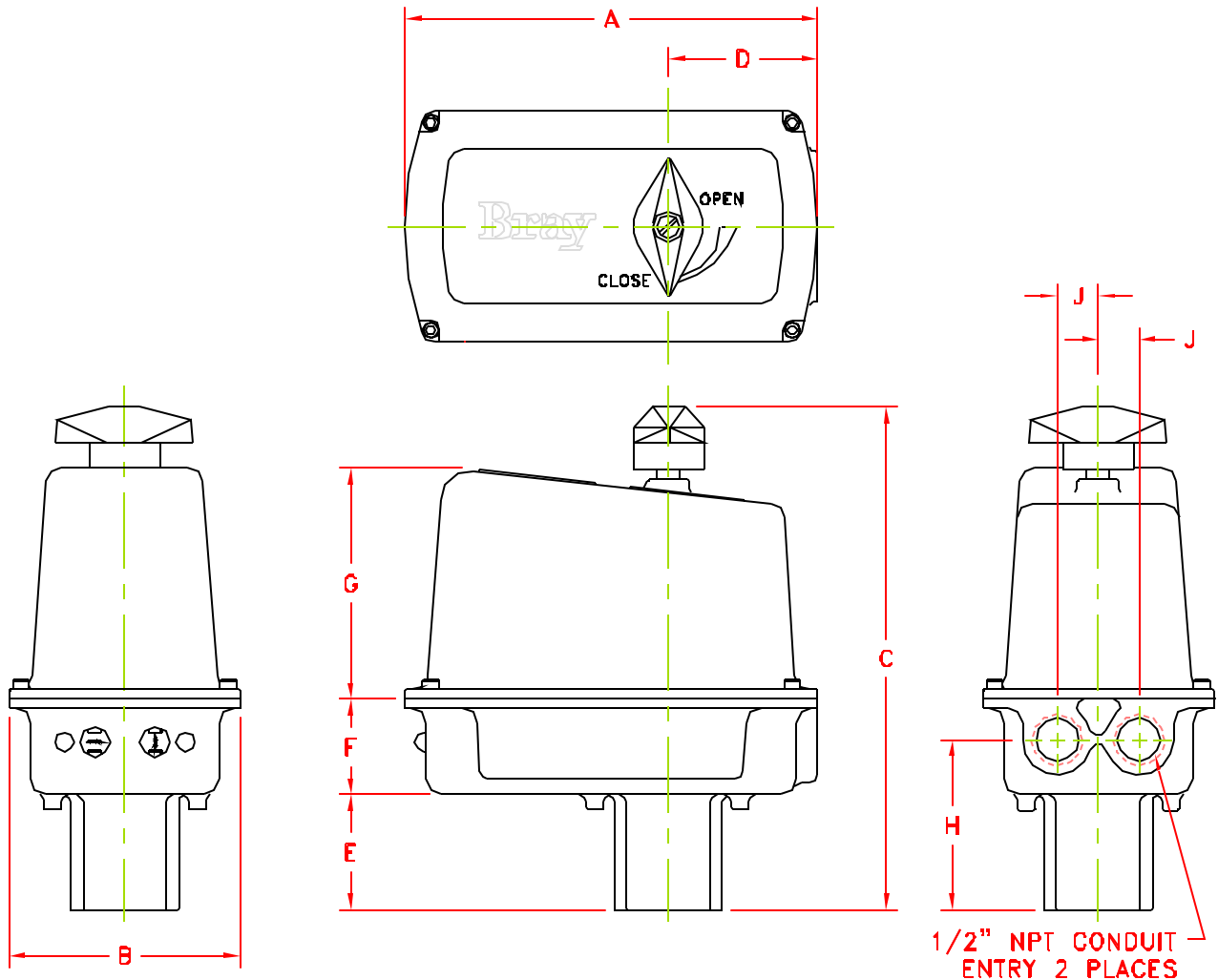


ATTENTION

THIS DOCUMENT IS VALID ONLY IF YOU DOWNLOADED IT FROM WWW.BRAY.COM OR RECEIVED IT FROM AN AUTHORIZED BRAY SALES OFFICE OR DISTRIBUTOR. IF YOU RECEIVED THIS DOCUMENT FROM ANY OTHER SOURCE, PLEASE TAKE INTO CONSIDERATION THAT ALTERATIONS COULD HAVE BEEN MADE.

ACTUATOR Size	A	B	C	D	E	F	G	H	J
1	5.93	3.29	7.52	2.10	1.63	1.49	3.50	2.55	.57
3	6.76	3.79	8.25	2.45	1.89	1.57	3.79	2.79	.67



Customer/Project _____

Inq./P.O. No. _____

Bray Order No. _____

Certified Correct By _____ Date _____

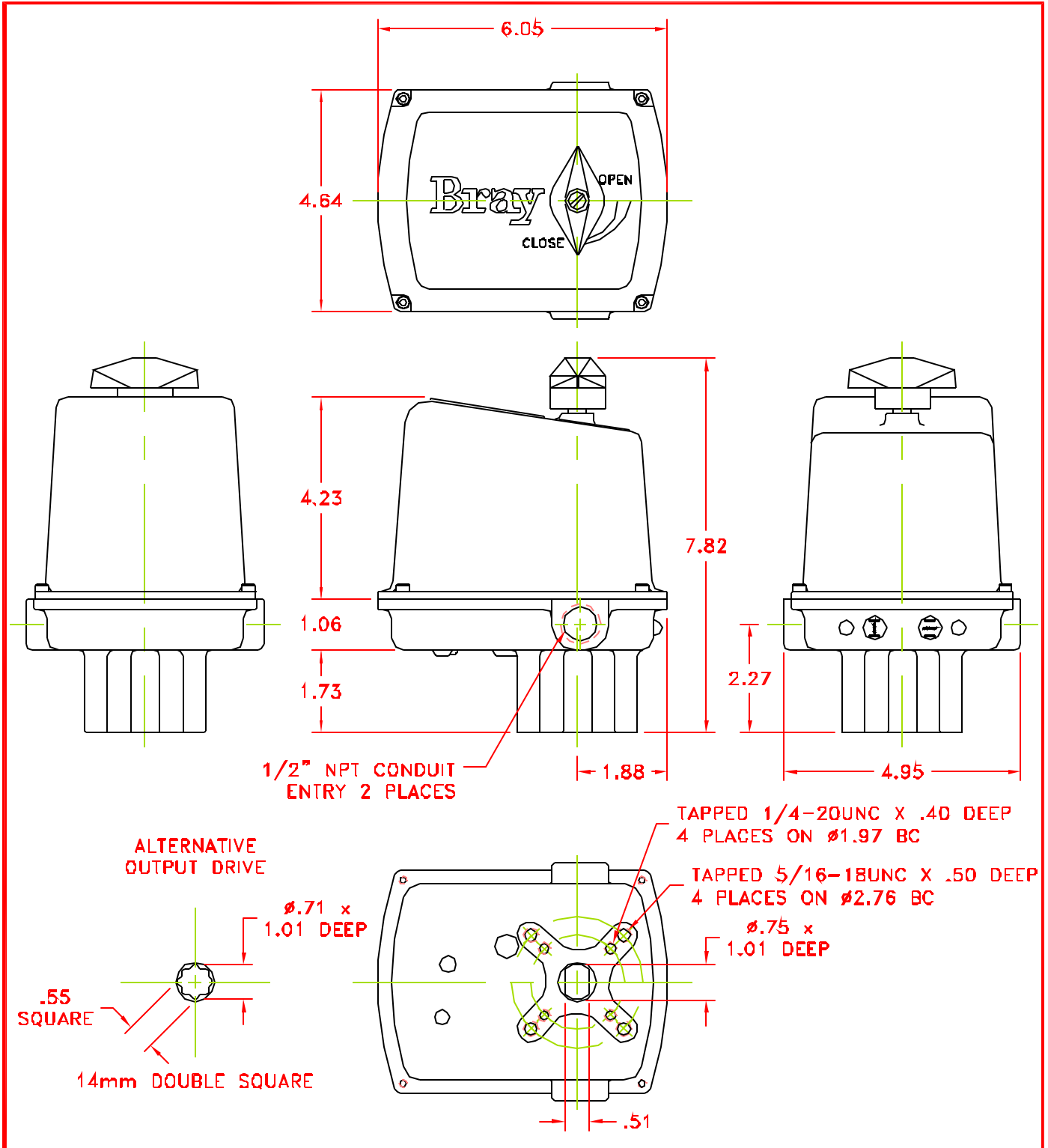
DIMENSIONS (INCHES) FOR
SERIES 73 SIZES 1 & 3
ELECTRIC ACTUATOR

Bray CONTROLS
A Division of BRAY INTERNATIONAL, Inc.

SHEET	REV.
1 OF 1	RFP
DRAWING NO.	
ES11A-0474	

ATTENTION

THIS DOCUMENT IS VALID ONLY IF YOU DOWNLOADED IT FROM WWW.BRAY.COM OR RECEIVED IT FROM AN AUTHORIZED BRAY SALES OFFICE OR DISTRIBUTOR. IF YOU RECEIVED THIS DOCUMENT FROM ANY OTHER SOURCE, PLEASE TAKE INTO CONSIDERATION THAT ALTERATIONS COULD HAVE BEEN MADE.



Customer/Project _____
 Inq./P.O. No. _____
 Bray Order No. _____
 Certified Correct By _____ Date _____

DIMENSIONS (INCHES) FOR
 SERIES 73 SIZE 6
 ELECTRIC ACTUATOR

Bray CONTROLS
A Division of BRAY INTERNATIONAL, Inc.

SHEET	REV.
1 OF 1	RFP
DRAWING NO.	
ES11A-0475	